

41 100 979



Fits: IMO, LULU, MADISON, MEM, TARA, CL.1, LISSÉ, VAIA, META, CYO

- Rain panel with 3 different flow modes
- PURIFY RAIN, 200 x 160 mm, max. flow rate 23.5 l/min (at 3 bar)
- FULL RAIN, 360 x 280 mm, max. flow rate 13.6 l/min (at 3 bar)
- rain curtain 720 x 540mm, 124 nozzles
- cover plate, stainless steel 1020 x 820 x 2 mm
- 3x flexible connection hose 1/2" - female thread
- 4x M 10 heavy-duty bolt
- pre-fitted, stainless steel enclosure 990 x 790 x 128 mmmm
- 2 hinges and safety chains

**technical data:**

- minimum flow rate: 35 l/min (all three rain modes together)
- flow at 3bar flow pressure in conjunction with xTOOL: 43l/min
- minimum flow pressure 2 bar
- max. flow pressure 4 bar
- weight: 50kg



**technical data:**

**plumbing:**

- recommended water hardness: 6-7 °dH - if the water is harder, integrate a water softener that uses the ion exchange principle into the feed pipe.
- for the optimum choice of hot water storage device - taking into consideration additional drawing-off points and the frequency with which RainSky M is used - the specific demand needs to be assessed.
- for choosing the drainage, taking into consideration the discharge of all the products in the shower, the specific demand needs to be assessed.  
Recommendation: Floor drain (connected rating) = 1.5l/sec, drainage rate DN 70
- feed pipe (hot/cold): 2x DN 20

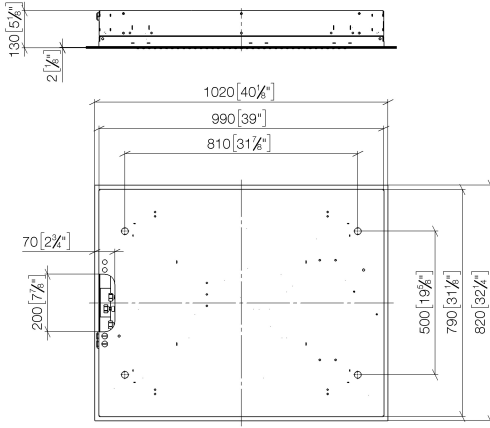
**electrical:**

- earth-leakage circuit-breaker 30 mA provided
- feeder 3 x 1.5mm<sup>2</sup> NYM
- equipotential bonding 1 x 4mm<sup>2</sup>
- customer must provide a light switch outside the shower area (outside safety zone 2 under DIN VDE 0100, Part 701)

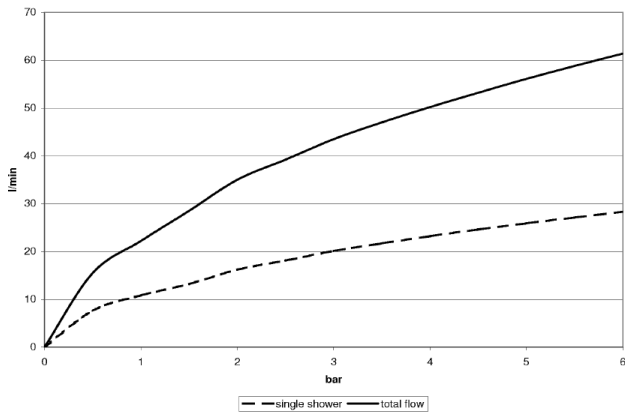
	Stainless Steel	41 100 979-85
	Brushed Stainless Steel	41 100 979-86

41 100 979

mm [inches]  
M 1:10



**Flow rate chart**

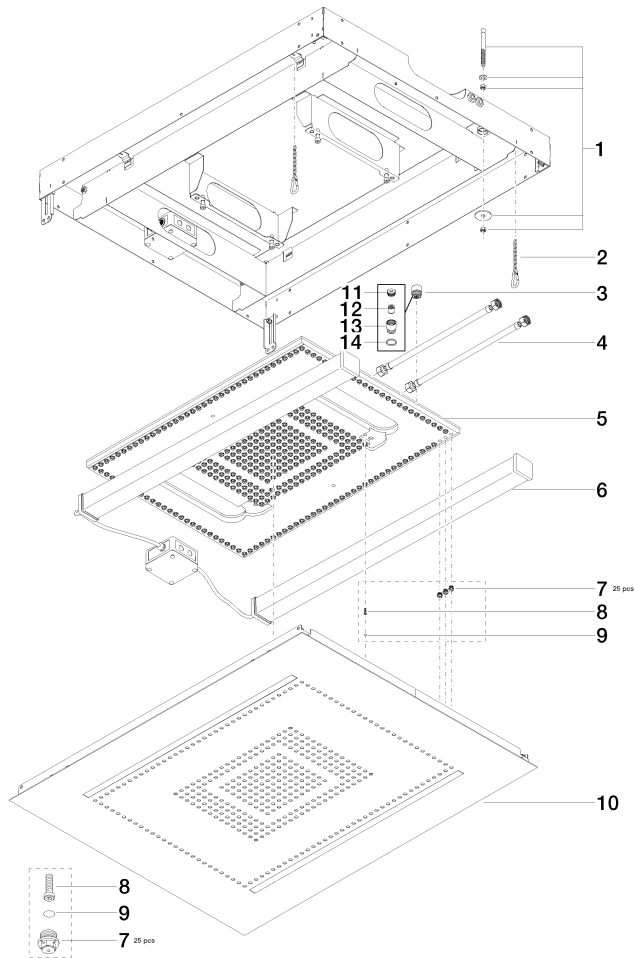


**Certificates**

LGA\_18147.

41 100 979

Parts for other finishes can be found here: [Brushed Stainless Steel](#)



**Spare parts list**

No.	Item Number	Name	Quantity used	Delivery time
1	04 30 35 006 01 90	fixing set	4	2
2	04 21 50 004 00 90	accessories	2	2
3	90 24 03 027 02 90	nipple	4	2
4	12 502 970 90	High pressure hose 1/2" x 1/2" x 400 mm -	4	2
5	04 12 05 004 00 90	shower	2	2
6	90 10 01 260 00 90	conversion kit	1	2
7	90 29 03 035 00 90	insert	15	2
8	09 30 30 047 90	screw	4	2
9	09 31 20 036 90	plug	4	2
10	04 11 02 113 03-85	cover	1	30
11	09 24 04 112 10 90	nipple	4	2
12	09 23 01 042 90	insert	4	2
13	09 24 03 027 90	nipple	4	2
14	09 14 20 025 90	seal	4	2